



Transformátory EI pro montáž  
do rozvaděčů se svorkami.  
Výkony 125 - 1700 VA



Transformatoren EI mit den Klammern  
für die Montage in die Schaltanlage  
Leistung 125 - 1700 VA

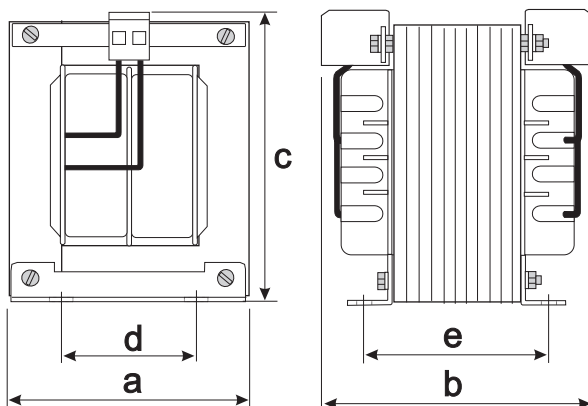


Transformers EI for assembly  
to the switchboards with clamps  
Output 125 - 1700 VA



| Výkon [VA]<br>Leistung [VA]<br>Output [VA] | Rozměr<br>nastojato [mm] |     | Stehendes<br>Mass [mm] |     |     | Vertical<br>design [mm] |     | Rozměr<br>naležato [mm] |     |     | Liegendes<br>Horizontal<br>design [mm] |      | Váha [kg]<br>Gewicht [kg]<br>Weight [kg] |
|--|--------------------------|-----|------------------------|-----|-----|-------------------------|-----|-------------------------|-----|-----|--|------|--|
|  | EI                       | a   | b                      | c   | d   | e                       | a   | b                       | c   | d   | e                                      |      |  |
| 125  | 96/35                    | 80  | 90                     | 106 | 63  | 65                      | 96  | 90                      | 90  | 84  | 65                                     | 2,3  |  |
| 160  | 96/35                    | 80  | 90                     | 106 | 63  | 65                      | 96  | 90                      | 90  | 84  | 65                                     | 2,3  |  |
| 160  | 96/45                    | 80  | 100                    | 106 | 63  | 75                      | 96  | 100                     | 90  | 84  | 75                                     | 2,8  |  |
| 200  | 96/45                    | 80  | 100                    | 106 | 63  | 75                      | 96  | 100                     | 90  | 84  | 75                                     | 2,8  |  |
| 200  | 96/59                    | 80  | 114                    | 106 | 63  | 89                      | 96  | 114                     | 90  | 84  | 89                                     | 3,5  |  |
| 270  | 96/59                    | 80  | 114                    | 106 | 63  | 89                      | 96  | 114                     | 90  | 84  | 89                                     | 3,5  |  |
| 300  | 120/41                   | 100 | 98                     | 130 | 85  | 66                      | 120 | 98                      | 110 | 90  | 66                                     | 4,1  |  |
| 400  | 120/53                   | 100 | 110                    | 130 | 85  | 78                      | 120 | 110                     | 110 | 90  | 78                                     | 5,1  |  |
| 530  | 120/73                   | 100 | 130                    | 130 | 85  | 97                      | 120 | 130                     | 110 | 90  | 97                                     | 6,7  |  |
| 550  | 150/66                   | 125 | 154                    | 155 | 90  | 89                      | 150 | 154                     | 135 | 122 | 89                                     | 9,7  |  |
| 800  | 150/92                   | 125 | 180                    | 155 | 90  | 115                     | 150 | 180                     | 135 | 122 | 115                                    | 13,5 |  |
| 1100                                       | 192/66                   | 160 | 151                    | 200 | 122 | 99                      | 192 | 151                     | 170 | 148 | 99                                     | 16,8 |  |
| 1400                                       | 192/82                   | 160 | 167                    | 200 | 122 | 115                     | 192 | 167                     | 170 | 148 | 115                                    | 20,0 |  |
| 1700                                       | 192/110                  | 160 | 195                    | 200 | 122 | 143                     | 192 | 167                     | 170 | 148 | 143                                    | 26,0 |  |

Provedení nastojato:  
Stehende Ausfuehrung:  
Vertical design:



Provedení naležato:  
Liegende Ausfuehrung:  
Horizontal design:

